

Main specification parameter for 345D slewing ring gear

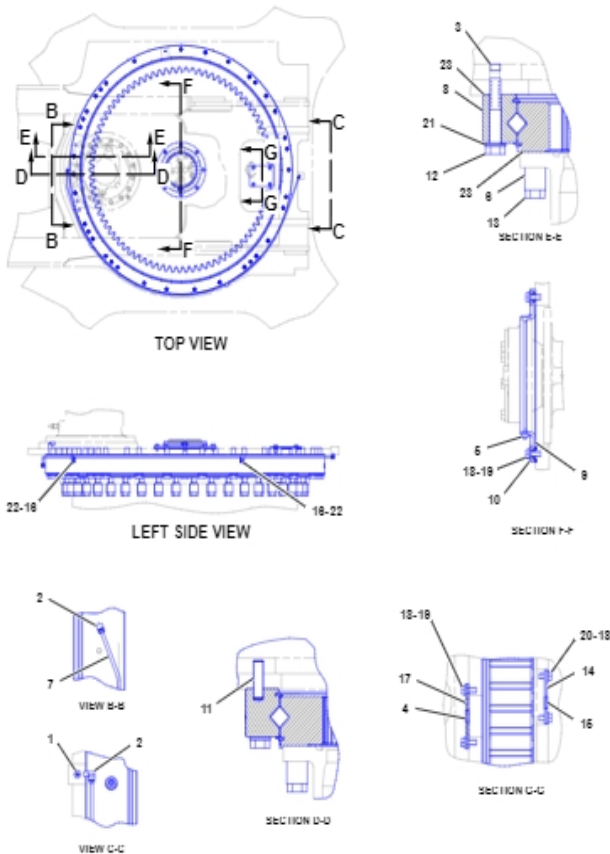
Brand	Model	Product Name	Part Number	Assembly Quantity	Weight
Caterpillar	330D	Slewing ring gear	3530654	4	427KG

Compatible Equipment Models: 3530654

330F	330D2	330FMHPU	330F OEM	330D2 L
330F L	330F LN	329E L	329D LN	329F L
329D L	329D2 L	329D2	329D	329E LN
329E	325D L	325C	325D	



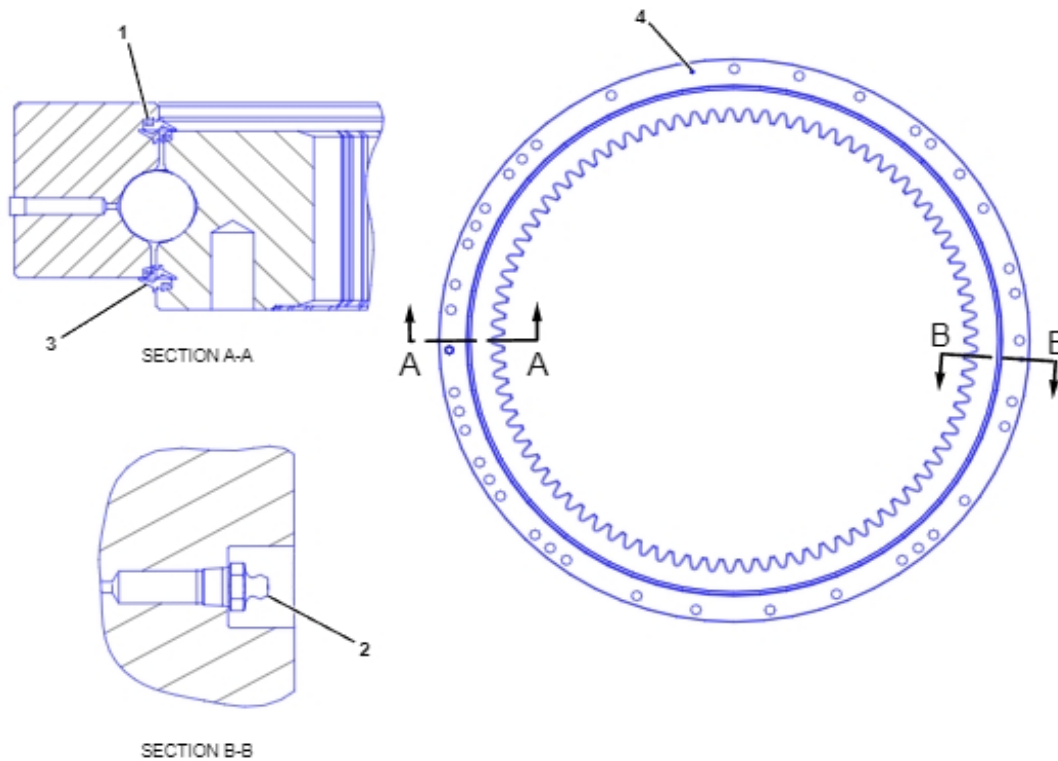
Product Details



Product Name	slewing ring gear
Part Number	3530645
Origin	United States
Brand Name	STONE
Model	330D
Price	Negotiable
Packing Details	Standard Export Packing
Delivery Time	0-30 Days
Payment Term	L/C, T/T
Price Term	FOB, CIF, CFR
Supply Capacity	50,000 PCS/Month
Minimum Order Quantity	1 PC
Material	High Quality Steel
Technology	Precision Machining
Surface	Treatment Anti-Corrosion Coating
Hardness	HRC 48-52
Quality	Original Factory Standard
Warranty Time	12 Months or 2000 Hours
After-Sales Service	Full Support, Online Service
Color	Standard Caterpillar Yellow or Customizable
Application	Excavator
Customizable	including customized materials, surface treatment and specifications

slewing ring gear

3530654



STONE: Construction machinery parts expert in China



We are committed to providing a variety of parts including bulldozers, excavators and wheel loaders for well-known brands such as Carter and Komatsu. Our product line covers a full range of OEM parts, such as Track Chain, Track Rollers, Sprocket, Excavator Buckets, Blades, Excavator Cylinders, Swing Circles, and various electrical and hydraulic components to ensure that our customers' stringent requirements for quality and performance are met.



Stone (Shanghai) Engineering Machinery Co., Ltd. is a leading supplier of engineering machinery parts, focusing on providing high-quality parts for mining companies. Since its establishment in 2004, we have been based in Shanghai, China, and have built our own brand STONE, becoming a trusted choice in the industry.